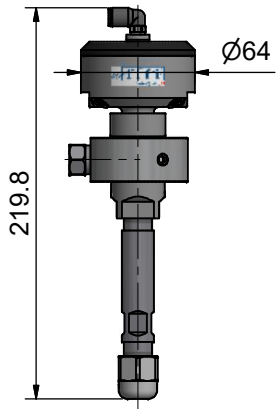


Schneidköpfe 2.0 / Cutting head 2.0

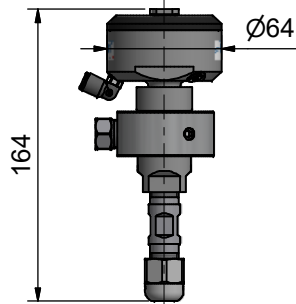


4 150 bar / 60,000 psi

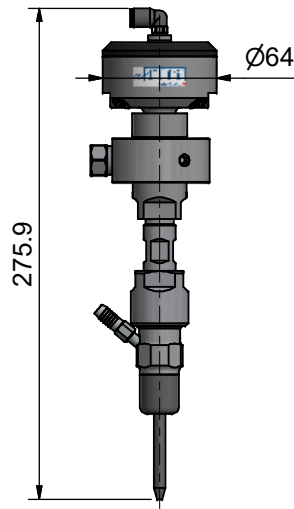
Type V
908000



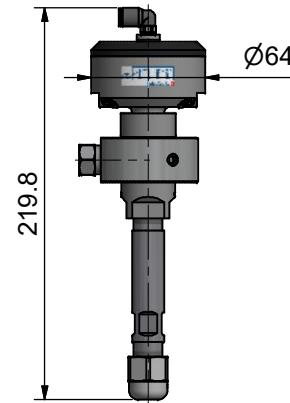
Type V 3D
908022



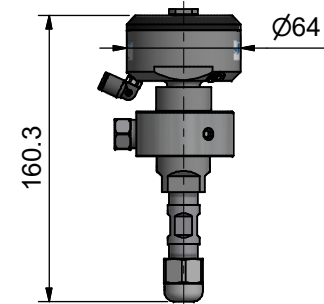
Type V
908100



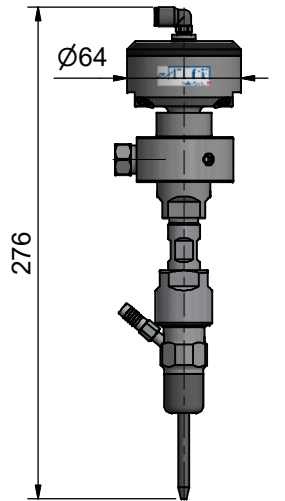
Type IV
Spring opened
908200



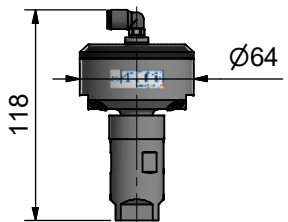
Type IV 3D
Spring opened
908222



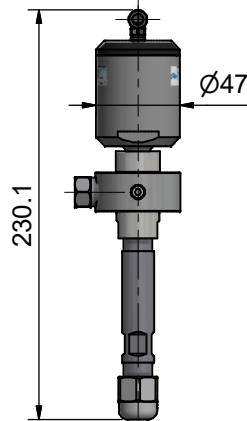
Type IV
Spring opened
908300



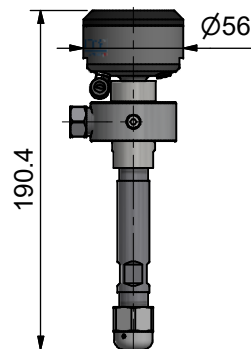
Type V 908054 **Type IV** 908254



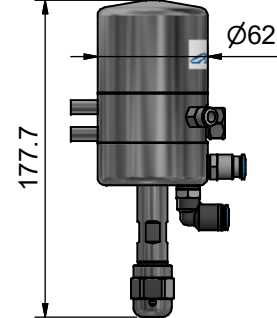
Type X Slimline
907600



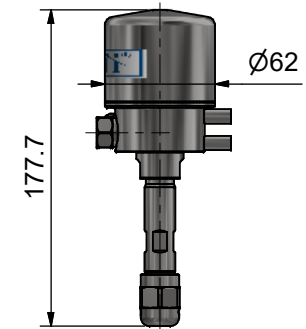
Type X
907150



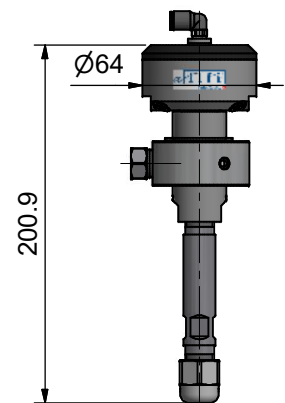
Type X Food safe
907800



Type X Food safe
907810



Type 1.1 basic
906110

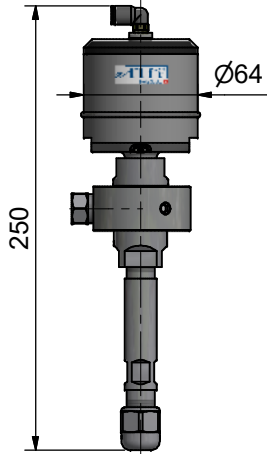


Schneidköpfe 2.0 / Cutting head 2.0

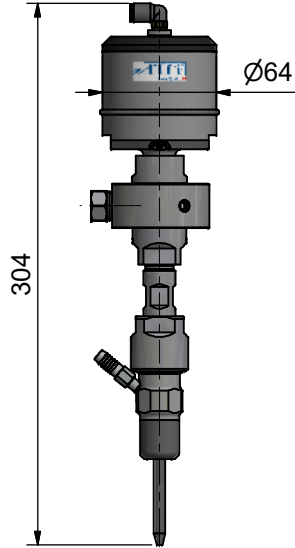


6200 bar / 90,000 psi

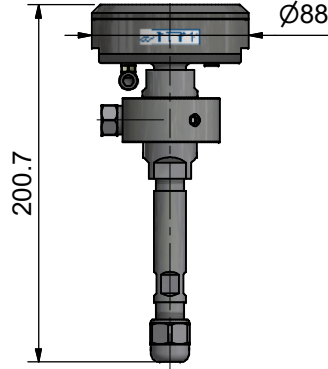
Type XIV
 Spring opened
 908200-P



Type XIV
 Spring opened
 908300-P



Type XVIII
 Spring opened
 908400-P



Type XVIII
 Spring opened
 908500-P

