


# Ventile pneum. NC 2.0 / Pneum. Valves NC 2.0

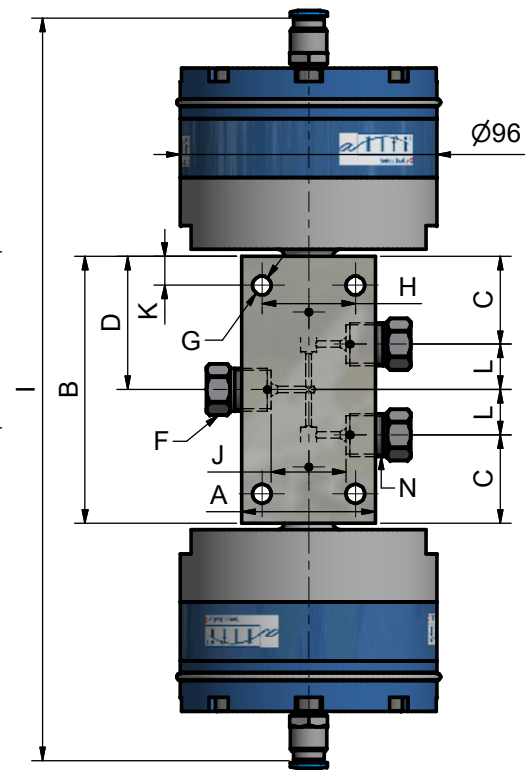
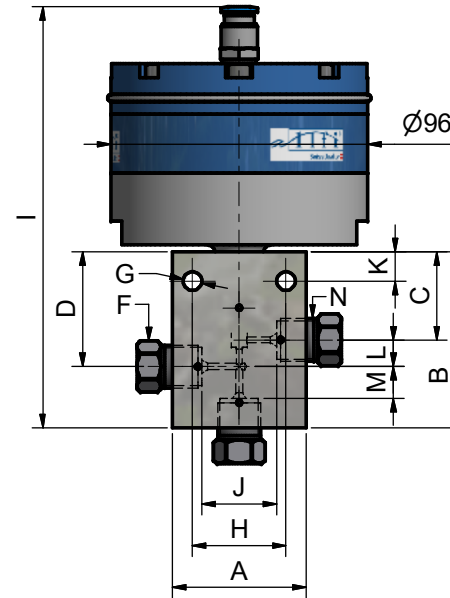
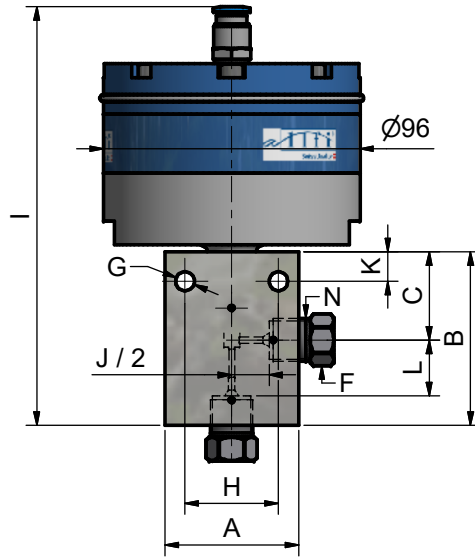
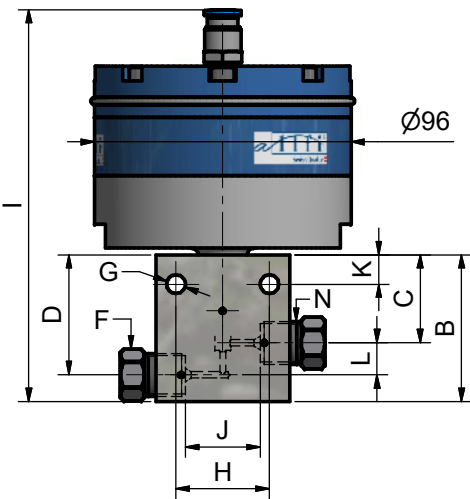
 4150 bar / 60,000 psi

Durchgangsventil  
Straight valve

Eckventil  
Angle valve

3-Weg-Ventil  
3-way valve

Doppelventil  
3-way 2-cylinder valve



Tiefe / Depth = E

# Ventile pneum. NC 2.0 / Pneum. Valves NC 2.0

## Metrisch / Metric

	Artikel-Nr.	Typ	Type	A	B	C	D	E	F	G	H	I	J	K	L	M	N
1/4"	910070	durchgang	Straight	50	55	33	45	25	SW/AF 17	7	35	144	28	11	12	-	M16 x 1.5
	910370	eck	Angle	50	65	33	-	25	SW/AF 17	7	35	154	28	11	21	-	M16 x 1.5
	910670	3-Weg	3-way	50	66	33	43	25	SW/AF 17	7	35	155	28	11	10	12	M16 x 1.5
	910970	doppelventil	2-stem	50	100	33	50	25	SW/AF 17	7	35	278	28	11	17	-	M16 x 1.5
3/8"	910170	durchgang	Straight	50	60	33	45	25	SW/AF 22	7	35	149	20	11	12	-	M20 x 1.5
	910470	eck	Angle	50	68	33	-	25	SW/AF 22	7	35	157	20	11	20	-	M20 x 1.5
	910770	3-Weg	3-way	50	69	33	43	25	SW/AF 22	7	35	158	20	11	10	11	M20 x 1.5
	911070	doppelventil	2-stem	50	100	33	50	25	SW/AF 22	7	35	278	20	11	17	-	M20 x 1.5
9/16"	910270	durchgang	Straight	70	75	33	53	38	SW/AF 32	7	50	164	30	6	20	-	M30 x 2
	910570	eck	Angle	70	73	33	-	38	SW/AF 32	7	50	162	30	6	20	-	M30 x 2
	910870	3-Weg	3-way	70	77	33	45	38	SW/AF 32	7	50	166	30	6	12	12	M30 x 2
	911170	doppelventil	2-stem	70	112	33	56	38	SW/AF 32	7	50	290	30	6	23	-	M30 x 2

## Imperial

	Artikel-Nr.	Typ	Type	A	B	C	D	E	F	G	H	I	J	K	L	M	N
1/4"	910070-I	durchgang	Straight	50	55	33	45	25	AF 5/8"	5.5	35	144	27	10	12	-	9/16" - 18 UNF
	910370-I	eck	Angle	50	60	33	-	25	AF 5/8"	5.5	35	149	27	10	15.5	-	9/16" - 18 UNF
	910670-I	3-Weg	3-way	50	66	33	43	25	AF 5/8"	5.5	35	155	27	10	10	11.5	9/16" - 18 UNF
	910970-I	doppelventil	2-stem	50	100	33	50	25	AF 5/8"	5.5	35	278	27	10	17	-	9/16" - 18 UNF
3/8"	910170-I	durchgang	Straight	50	57	33	43	25	AF 13/16"	5.5	35	146	18	10	10	-	3/4" - 16 UNF
	910470-I	eck	Angle	50	66	33	-	25	AF 13/16"	5.5	35	155	18	10	17	-	3/4" - 16 UNF
	910770-I	3-Weg	3-way	50	69	33	43	25	AF 13/16"	5.5	35	158	18	10	10	10	3/4" - 16 UNF
	911070-I	doppelventil	2-stem	50	100	33	50	25	AF 13/16"	5.5	35	278	18	10	17	-	3/4" - 16 UNF
9/16"	910270-I	durchgang	Straight	66	64	33	45	38	AF 1 3/16"	7	35	153	26	10	12	-	1 1/8" - 12 UNF
	910570-I	eck	Angle	66	71	33	-	38	AF 1 3/16"	7	35	160	26	10	18	-	1 1/8" - 12 UNF
	910870-I	3-Weg	3-way	66	79	33	45	38	AF 1 3/16"	7	35	168	26	10	12	14	1 1/8" - 12 UNF
	911170-I	doppelventil	2-stem	66	112	33	56	38	AF 1 3/16"	7	35	290	26	10	23	-	1 1/8" - 12 UNF