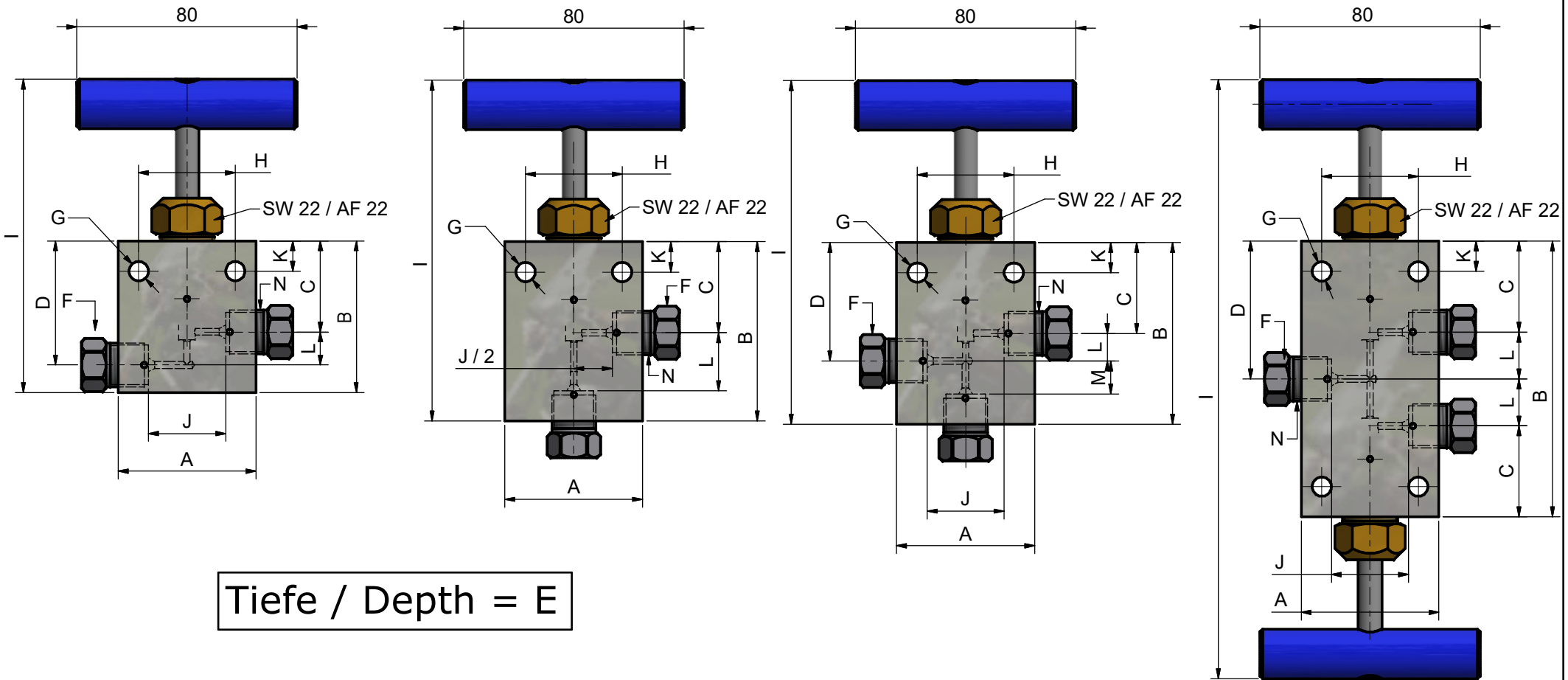


Handventile 2.0 / Hand Valves 2.0

 4150 bar / 60,000 psi



Handventile 2.0 / Hand Valves 2.0

Metrisch / Metric

	Artikel-Nr.	Typ	Type	A	B	C	D	E	F	G	H	I	J	K	L	M	N
1/4"	910010	durchgang	Straight	50	55	33	45	25	SW/AF 17	7	35	114	28	11	12	-	M16 x 1.5
	910310	eck	Angle	50	65	33	-	25	SW/AF 17	7	35	124	28	11	21	-	M16 x 1.5
	910610	3-Weg	3-way	50	66	33	43	25	SW/AF 17	7	35	125	28	11	10	12	M16 x 1.5
	910910	doppelhand	2-stem	50	100	33	50	25	SW/AF 17	7	35	217	28	11	17	-	M16 x 1.5
3/8"	910110	durchgang	Straight	50	60	33	45	25	SW/AF 22	7	35	119	20	11	12	-	M20 x 1.5
	910410	eck	Angle	50	68	33	-	25	SW/AF 22	7	35	127	20	11	20	-	M20 x 1.5
	910710	3-Weg	3-way	50	69	33	43	25	SW/AF 22	7	35	128	20	11	10	11	M20 x 1.5
	911010	doppelhand	2-stem	50	100	33	50	25	SW/AF 22	7	35	217	20	11	17	-	M20 x 1.5
9/16"	910210	durchgang	Straight	70	75	33	53	38	SW/AF 32	7	50	134	30	6	20	-	M30 x 2
	910510	eck	Angle	70	73	33	-	38	SW/AF 32	7	50	132	30	6	20	-	M30 x 2
	910810	3-Weg	3-way	70	77	33	45	38	SW/AF 32	7	50	136	30	6	12	12	M30 x 2
	911110	doppelhand	2-stem	70	112	33	56	38	SW/AF 32	7	50	229	30	6	23	-	M30 x 2

Imperial

	Artikel-Nr.	Typ	Type	A	B	C	D	E	F	G	H	I	J	K	L	M	N
1/4"	910010-I	durchgang	straight	50	55	33	45	25	AF 5/8"	5.5	35	114	27	10	12	-	9/16" - 18 UNF
	910310-I	eck	angle	50	60	33	-	25	AF 5/8"	5.5	35	119	27	10	15.5	-	9/16" - 18 UNF
	910610-I	3-Weg	3-way	50	66	33	43	25	AF 5/8"	5.5	35	125	27	10	10	11.5	9/16" - 18 UNF
	910910-I	doppelhand	2-stem	50	100	33	50	25	AF 5/8"	5.5	35	217	27	10	17	-	9/16" - 18 UNF
3/8"	910110-I	durchgang	straight	50	57	33	43	25	AF 13/16"	5.5	35	116	18	10	10	-	3/4" - 16 UNF
	910410-I	eck	angle	50	66	33	-	25	AF 13/16"	5.5	35	125	18	10	17	-	3/4" - 16 UNF
	910710-I	3-Weg	3-way	50	69	33	43	25	AF 13/16"	5.5	35	128	18	10	10	10	3/4" - 16 UNF
	911010-I	doppelhand	2-stem	50	100	33	50	25	AF 13/16"	5.5	35	217	18	10	17	-	3/4" - 16 UNF
9/16"	910210-I	durchgang	straight	66	64	33	45	38	AF 1 3/16"	7	35	123	26	10	12	-	1 1/8" - 12 UNF
	910510-I	eck	angle	66	71	33	-	38	AF 1 3/16"	7	35	130	26	10	18	-	1 1/8" - 12 UNF
	910810-I	3-Weg	3-way	66	79	33	45	38	AF 1 3/16"	7	35	138	26	10	12	14	1 1/8" - 12 UNF
	911110-I	doppelhand	2-stem	66	112	33	56	38	AF 1 3/16"	7	35	229	26	10	23	-	1 1/8" - 12 UNF