

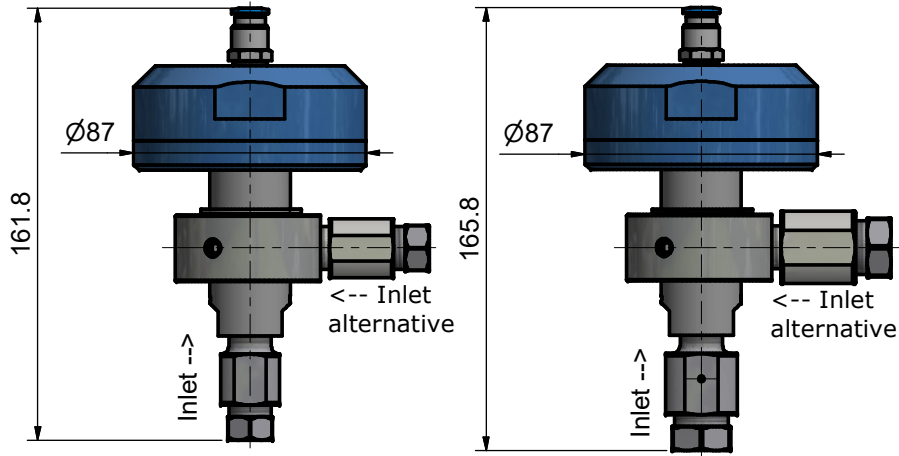
Druckentlastungsventile / Pressure relief valves



4150 bar / 60,000 psi

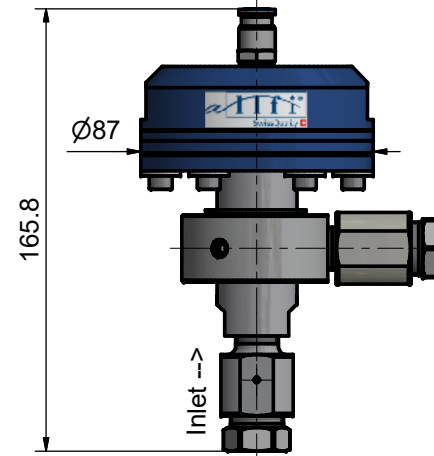
919010
1/4" tube

919110
3/8" tube



6200 bar / 90,000 psi

919000-P
3/8" tube

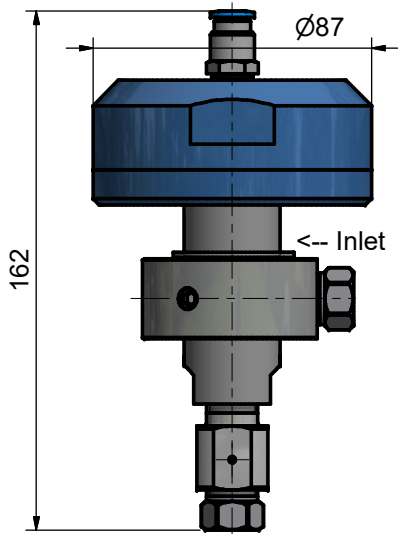


Absperrventile / Shut-off valve



4150 bar / 60,000 psi

919000
1/4" tube



919100
3/8" tube

